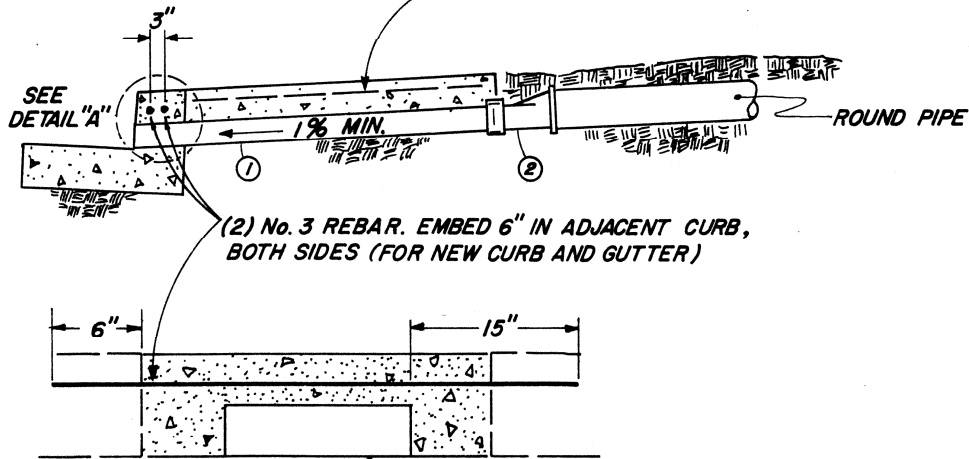
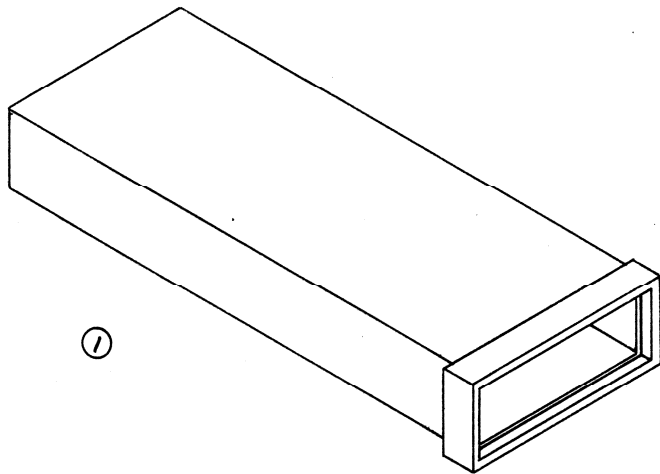


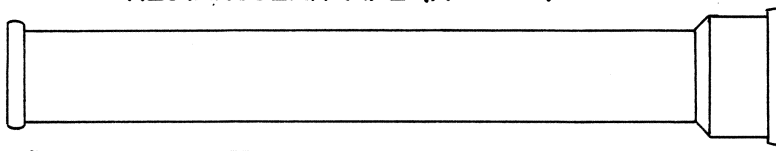
4X4 - 10X10 WELDED WIRE FABRIC EXTENDING 15" BEYOND BOTH SIDES OF RECTANGULAR PIPE



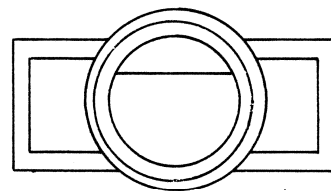
Detail "A"



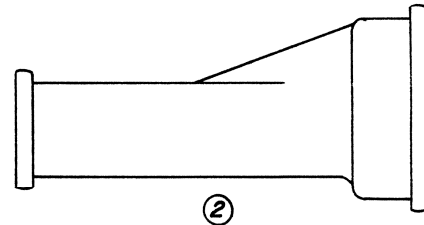
ALHAMBRA FOUNDRY CO. LTD.  
RECTANGULAR PIPE (A-470)



OUTSIDE PIPE	OUTSIDE HUBS	TRANSVERSE AREA—NET	LAYING LENGTH
3" X 5"	4 1/4" X 6 1/4"	11.25 Sq. In.	5' 0"
3" X 5"	4 1/4" X 6 1/4"	11.25 Sq. In.	2' 6"
3" X 9"	4 1/4" X 10 1/4"	21.20 Sq. In.	5' 0"
3" X 12 1/2"	4 1/4" X 14"	30.00 Sq. In.	5' 0"
3" X 12 1/2"	4 1/4" X 14"	30.00 Sq. In.	2' 6"
4" X 14"	5 1/4" X 15 1/4"	47.50 Sq. In.	5' 0"
4" X 14"	5 1/4" X 15 1/4"	47.50 Sq. In.	2' 6"



ALHAMBRA FOUNDRY CO. LTD.  
ADAPTER (A-480)



ROUND PIPE	RECT. PIPE	LAYING LENGTH
4"	3" X 5"	1' 0"
5"	3" X 9"	1' 0"
6"	3" X 12 1/2"	1' 0"
8"	4" X 14"	1' 0"

REVISIONS		



Cathedral City

68625 Perez Road  
Cathedral City, Ca. 92234  
324-8388

UNDER SIDEWALK DRAIN

DEPT. of COMMUNITY DEVELOPMENT

Scale: N. T. S.

Date: 5/13/1987

Std. Dwg. No. STBUSD